

Covering Your World

PORTABLE SHELTER INSTRUCTIONS

MODEL: SH-5M-635S

L6x W3.5 x H2m



PICTURE MAY NOT REFLECT THE EXACT MODEL

Covering Your World

TO OUR NEW AND VALUED CUSTOMER

Thank you for purchasing your new Instant Shelter. We know you will have as much pleasure owning your new shelter as we had in making it for you. Our shelters have been designed for rapid assembly and minimal maintenance. We have rigorous quality control at every step of the shelter's manufacturing process to insure you the best unit money can buy. Our parts are triple checked prior to packaging to insure you will have everything you need before you start. In the unlikely event that a part is damaged or missing, you should immediately contact your place of purchase for a speedy replacement.

Qingdao Shenghe

And Now a Few Words About Safety

HEAD PROTECTION IS RECOMMENDED!

Working with or under heavy parts included with this shelter can cause serious head injury.

WEAR GLOVES

You will be working with metal parts which may have SHARP edges

CHECK WITH YOUR LOCAL AUTHORITIES

Underground POWER CABLES or GAS LINES may result in injury while securing the shelter. It may also result in having to move the building. A cursory check with the local building authorities will help alleviate these concerns.

Covering Your World

CLIMBING EQUIPMENT

It is highly recommended that scaffolding, ladders and mechanical lifting equipment conform to all local building codes when erecting the shelter. Safety straps and harnesses should be used at all times. The metal structure of the shelter has not been designed for human weight. Erecting shelter during wind or rain is unsafe and could result in serious injury.

CHECK LOCAL WEATHER CONDITIONS

Check your local weather forecast prior to planning your building day. Wind, snow and/or rain may cause unsafe conditions that could lead to serious injury.

STORING HAZARDOUS MATERIALS

Check all local building codes prior to storing any hazardous material. Shelter may require additional ventilation to meet local codes.

SEVERE WEATHER CONDITIONS

Working in and around the portable shelter during severe weather is not recommended. Serious injury could result. In the event that extraordinarily severe wind, snow or other severe conditions are predicted and if time permits, it is recommended that the shelter cover be removed.

PREVENT ENTRAPMENT

Check Shelter for co workers before locking up. Always provide forescape in case of emergency.

Covering Your World

SHELTER RELOCATION

Should the shelter require relocation or disassembly for any reason, it is strongly recommended that the structure and its cover are thoroughly inspected prior to rebuilding

PERIODIC SHELTER INSPECTION

As with all structures, periodic inspection of the cover and all structural components is highly recommended. Tightening the cover and the structure will prolong the life of your investment

PLEASE BE Safety CONSCIOUS!

Common Sense is the knack of seeing things as they are, and doing things as they ought to be done. Harriet Beecher Stowe




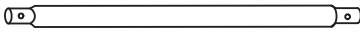

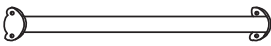
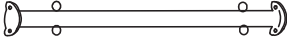
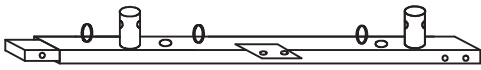
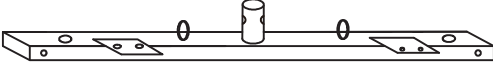
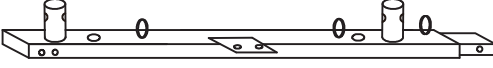
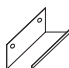


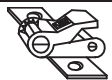



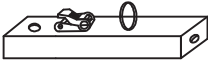
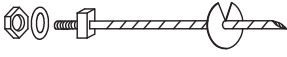
THANK YOU FOR CHOOSING OUR SHELTER

UNPACKING & IDENTIFYING PARTS



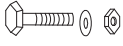
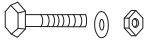
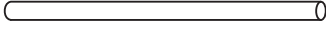
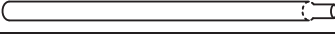


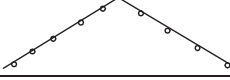

Prior to assembling your New Portable Shelter, unpack all crates and complete an inventory of all parts according to the following list and diagrams

Covering Your World

PARTS LIST FOR SH-5M-635S (2014.6)

Parts#	Descriptions	Diagram	Dimensions (in mm)	Q' TY
1	Leg rafter		Φ45x2000	5
2	Side curved rafter		Φ45x2100	5
3	Curved rafter (container side)		Φ45x1500	5
4	Roof rafter		Φ45x960	10
5	Top crest		Φ45x950	5
6	Purlin		Φ38x1437	8
7	Purlin with ring		Φ38x1437	8
8	Base Rail Parts		25x70x2000	2
9	Base Rail Parts		25x70x2000	2
10	Base Rail Parts		25x70x2000	2
11	Angle iron (to fix base rail on container)		120x95x75x15x4	4
12	Fixing steel plate		Φ45	8
13	Ratchet Tie-Down (end)			2
14	Ratchet Tie-Down			8
15	bracing cable (container side)		Φ6x3040	8
16	bracing cable (roof)		Φ6x2060	8
17	bracing cable (side)		Φ6x3750	8
18	Door base		25x70x300	2
19	Anchor		M16x350	8

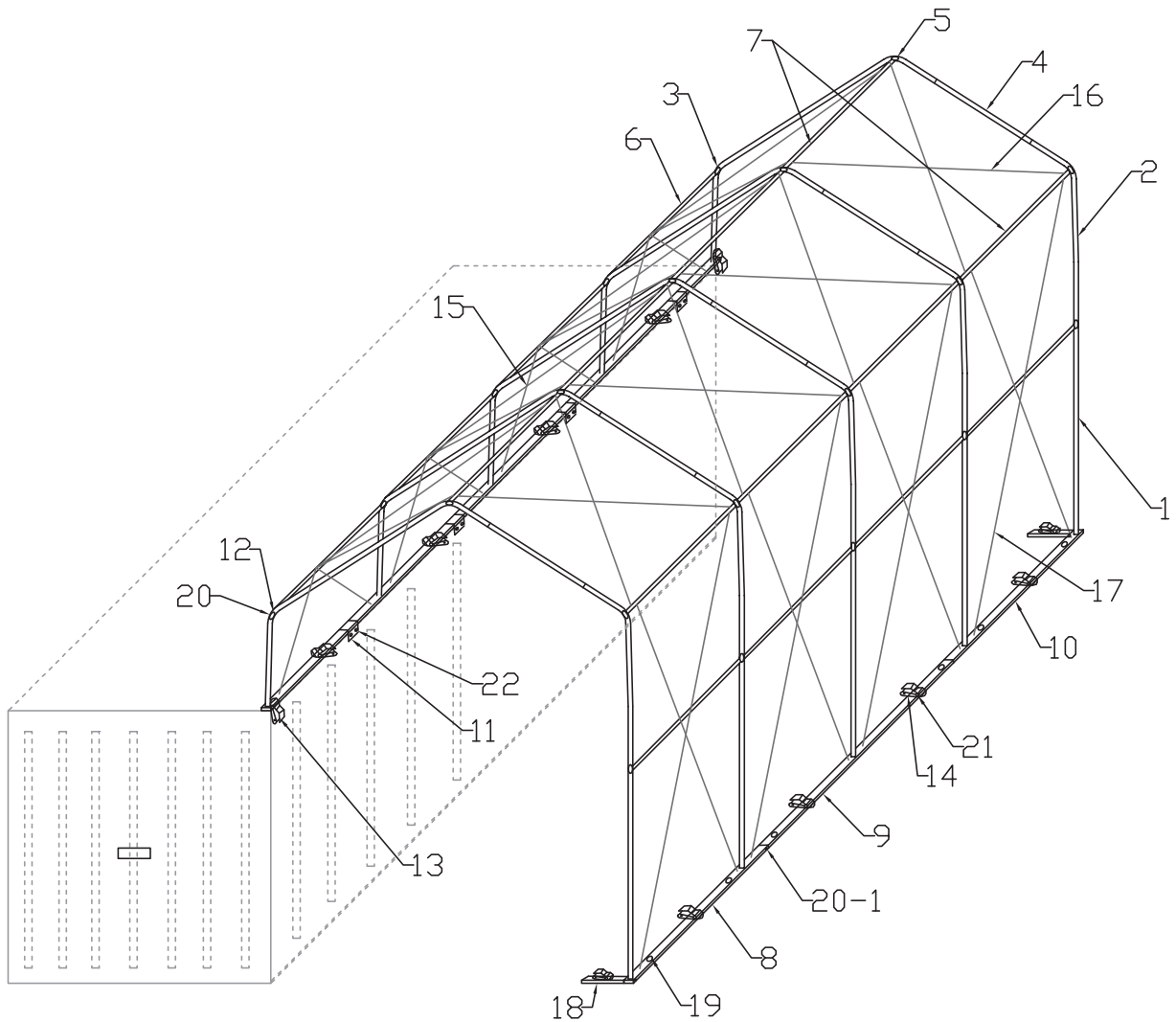
Covering Your World

Parts#	Descriptions	Diagram	Dimensions (in mm)	Q' TY
20	Screw kits		M8x70	72
20-1	Screw kits for base		M8x90	14
21	Screws kits		M8x15	16
22	Screws kits		M12x100	8
23	Cover Conduit		Φ 25x1510	2
24	Cover Conduit with swaged end		Φ 25x1510	6
25	Strap band(for ratchet)		25x700	8
26	Ratchet		T-2	28
27	Roof Cover			1
28	wrench		#13-16	2
29				

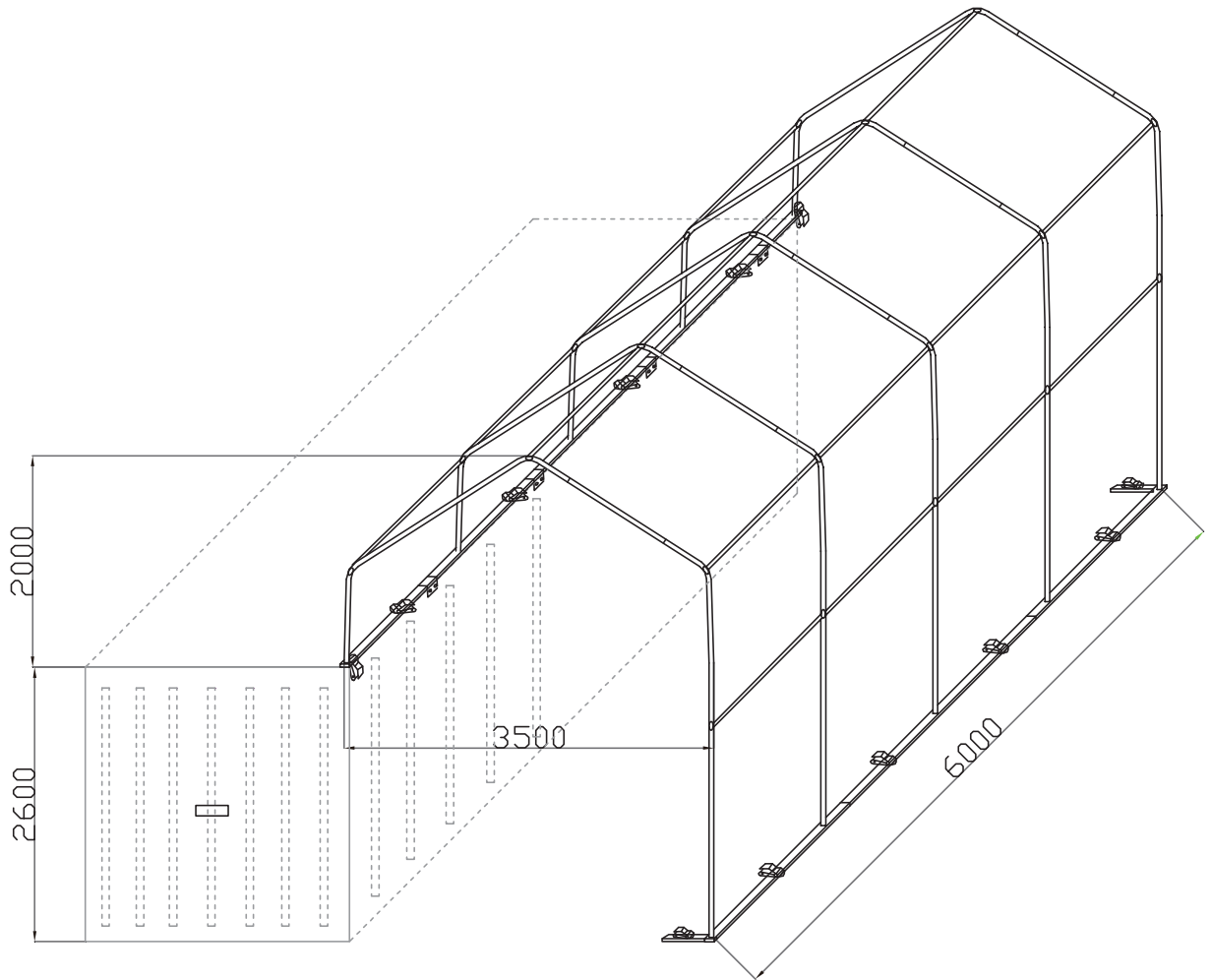
L6x W3.5 x H2m

FRAME DIAGRAM

SH-5M-635s

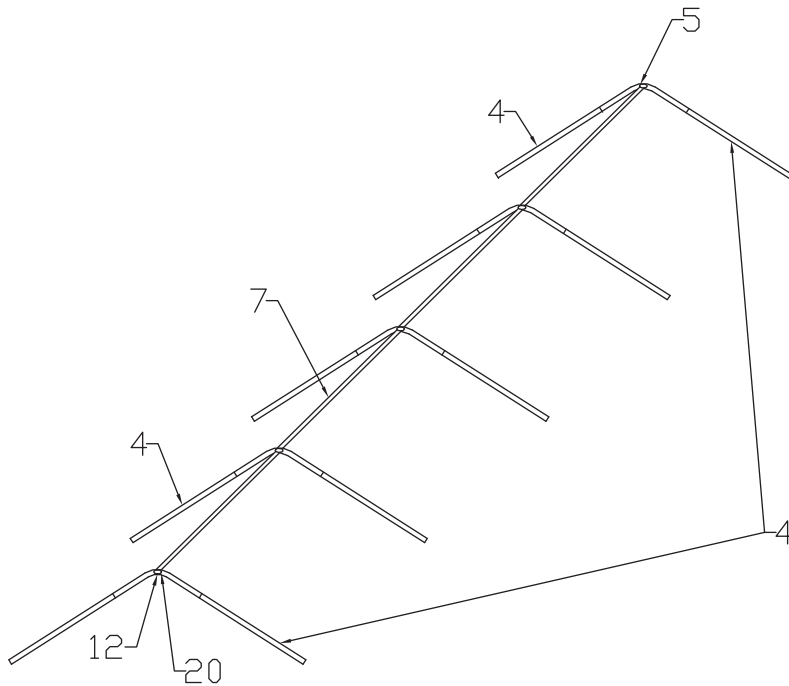


SH-5M-635s Main Dimension (mm)

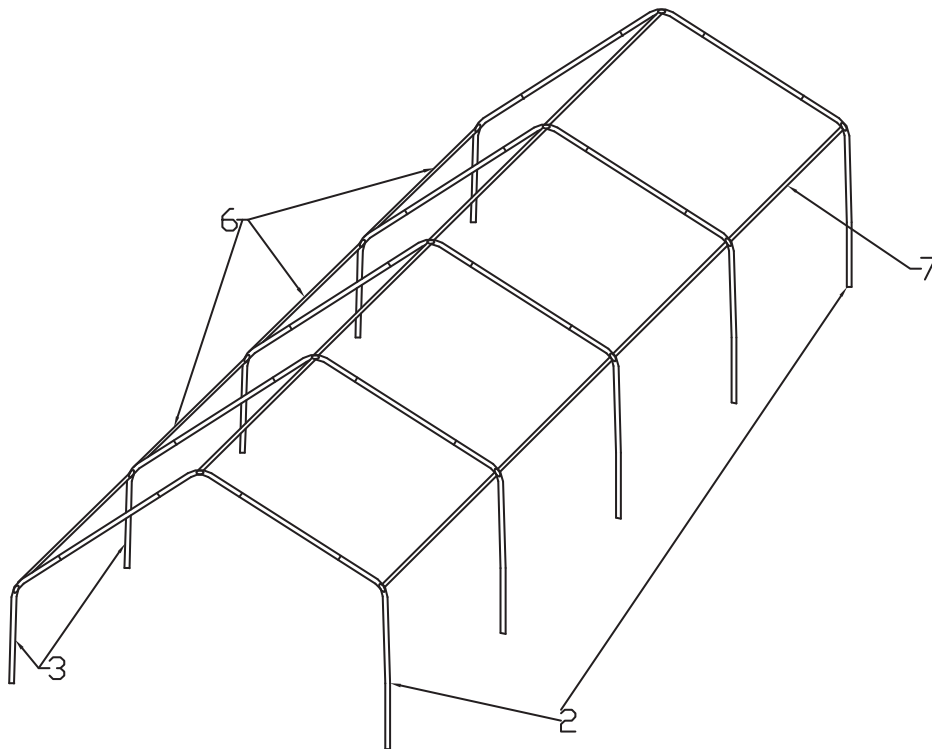


Assembling

Step 1: Assemble the rafter #5 and #4, connect each row with #7. Fasten with #20, put the fixer #12 on outside of the end and screw it.

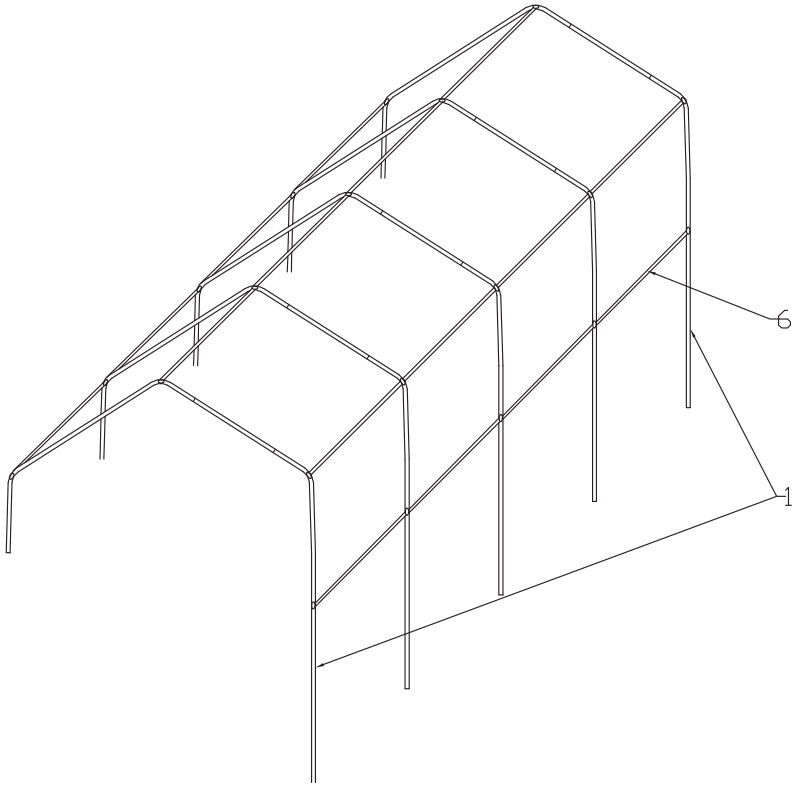


Step 2: Insert rafter #2 and #3, into #4, connect each row with #6 and #7.

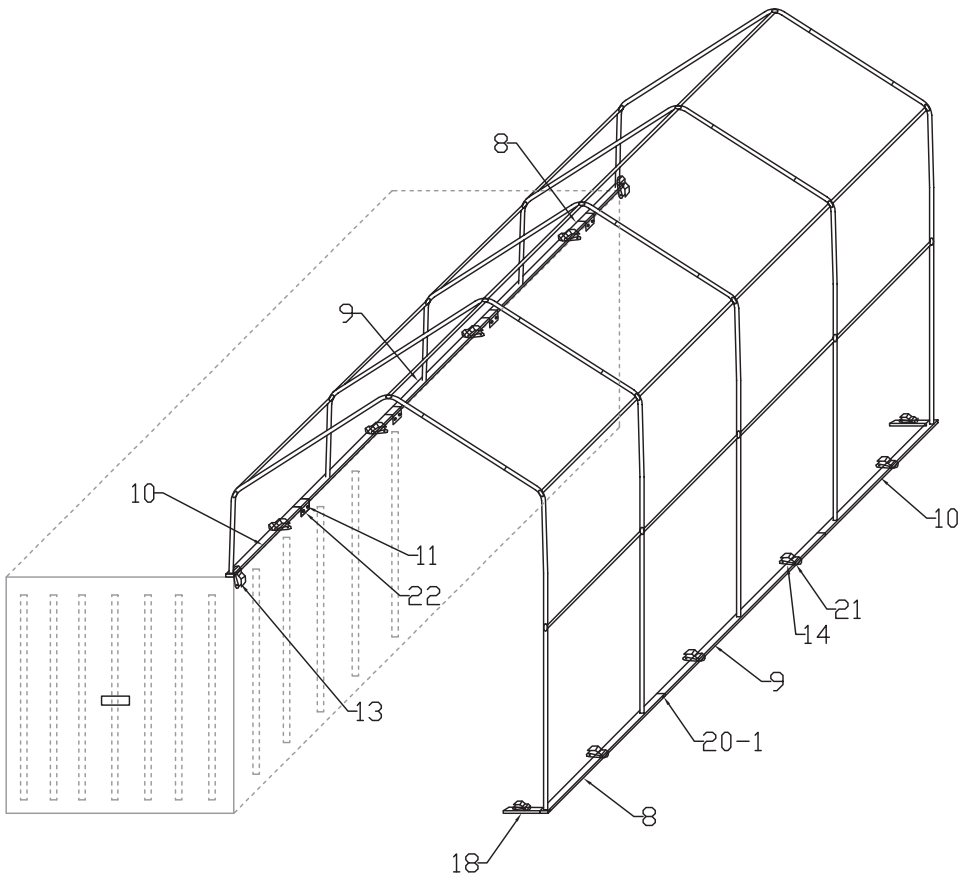


Covering Your World

Step 3: Insert #1 into #2. Then connect each row with #6.

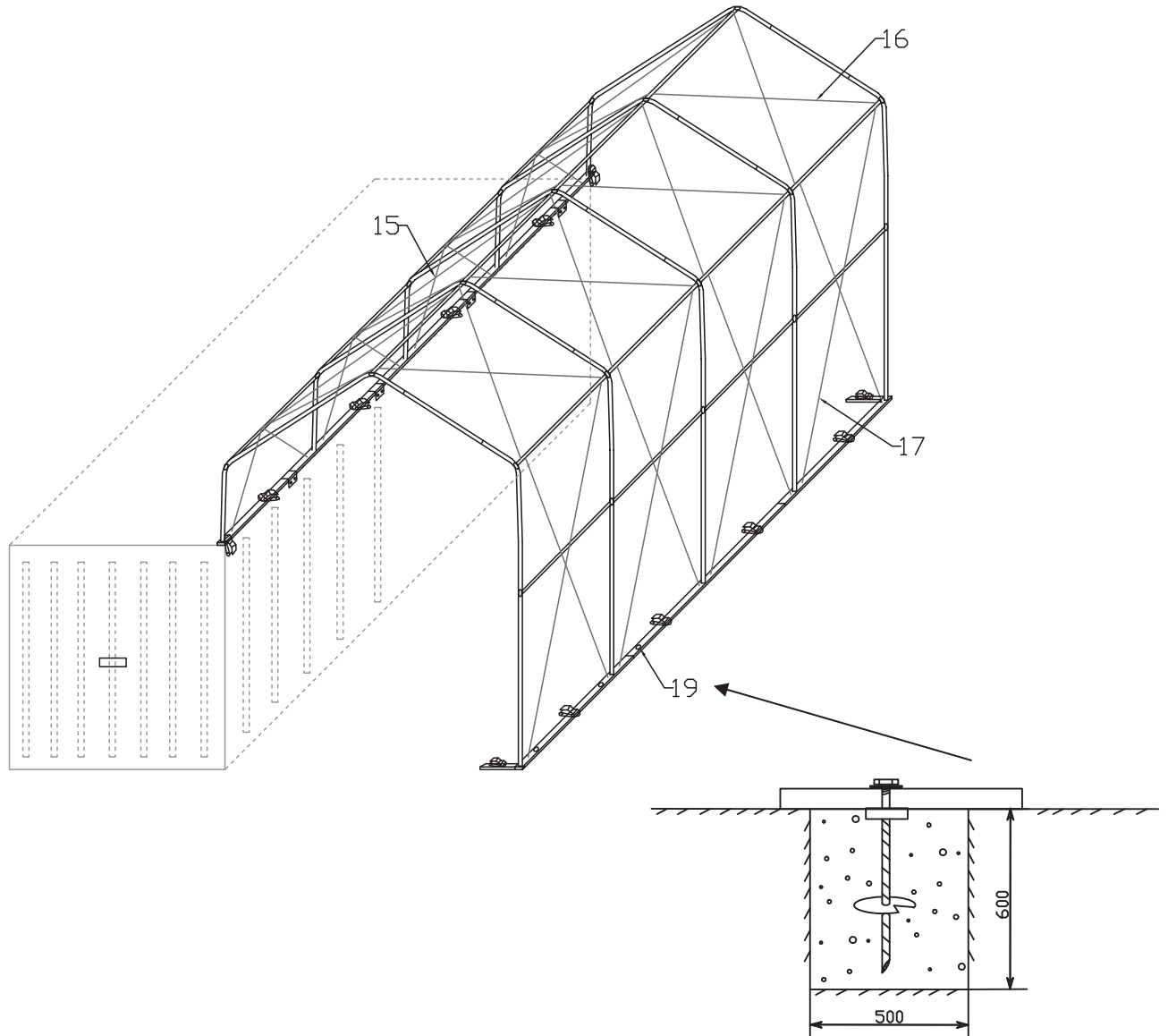


Step 4: with #20-1 to assemble the base #8/#9/#10, and with #22, #11 to fix the base of container side to container edge, put the frame assembled in step 3 into base feet, and with #21 fix the #14 on base.

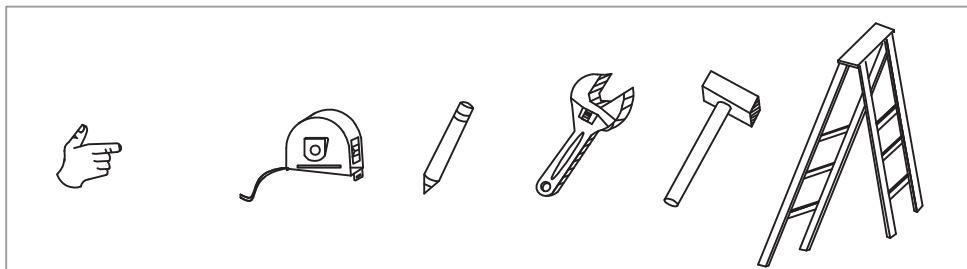


Covering Your World

Step 5: Brace the frame with #15、#16、#17 and fasten. Fix the base onto ground with #19.

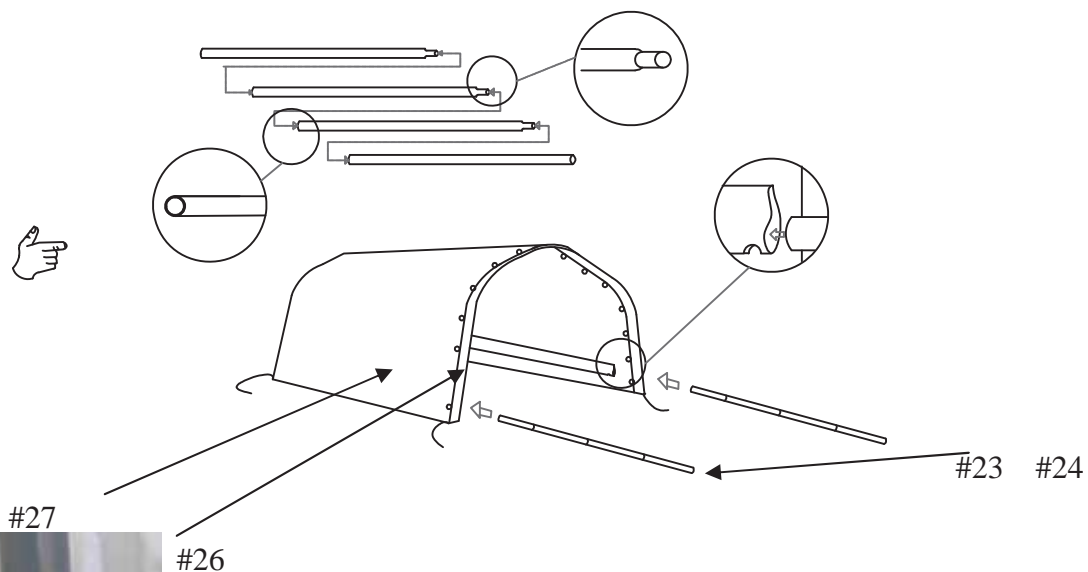


Tips: The tools below may needed while installing the shelter.

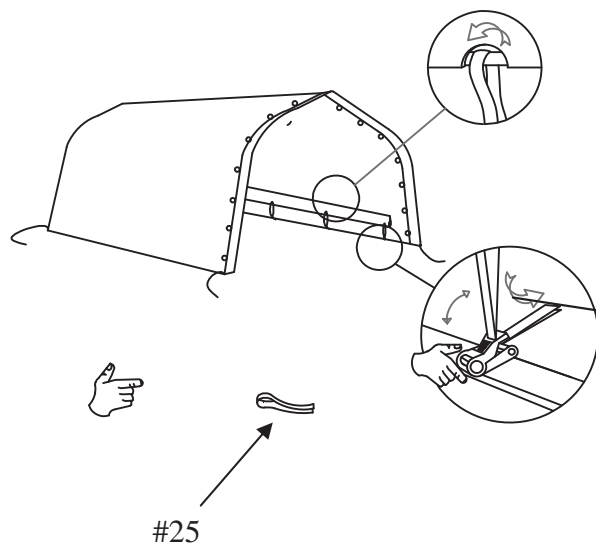


Covering Your World

TIPS : Slide the roof cover over assembled frame from one side and insert the conduit to pocket on side:



Pocket for side wall conduit



Ratchet tie down for tensioning the Side wall (roof cover)



Covering Your World

Fix the shelter to container top edge with angle iron and screws.

